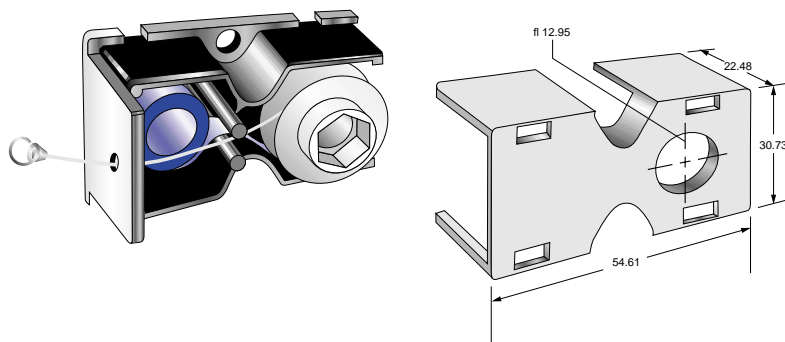


## Standard Options

ASSEMBLY No.	INCORPORATES SPRING No.	COUNTER-D BALANCES	No. OF REVOLUTIONS	AVERAGE FATIGUE LIFE CYCLES	TRAVEL mm
BA 271	BA 1	· 539 Kg	25	5,000	915
BA 272	BA 2	· 425 Kg	25	7,000	915
BA 273	BA 3	· 225 Kg	25	13,000	915
BA 274	BA 4	· 136 Kg	25	30,000	915

*D Approximate only*

*Special assemblies can be made to order if required*



ASSEMBLY No.	INCORPORATES SPRING No.	COUNTER-D BALANCES	No. OF REVOLUTIONS	AVERAGE FATIGUE LIFE CYCLES	TRAVEL mm
SL 371	BA 1	· 539 Kg	25	5,000	915
SL 372	BA 2	· 425 Kg	25	7,000	915
SL 373	BA 3	· 225 Kg	25	13,000	915
SL 374	BA 4	· 136 Kg	25	30,000	915

*D Approximate only*

*NB: Please specify end form when ordering.*

## Available end fittings



Limpet



Key Ring



Spring Hook



Adjustable Loop